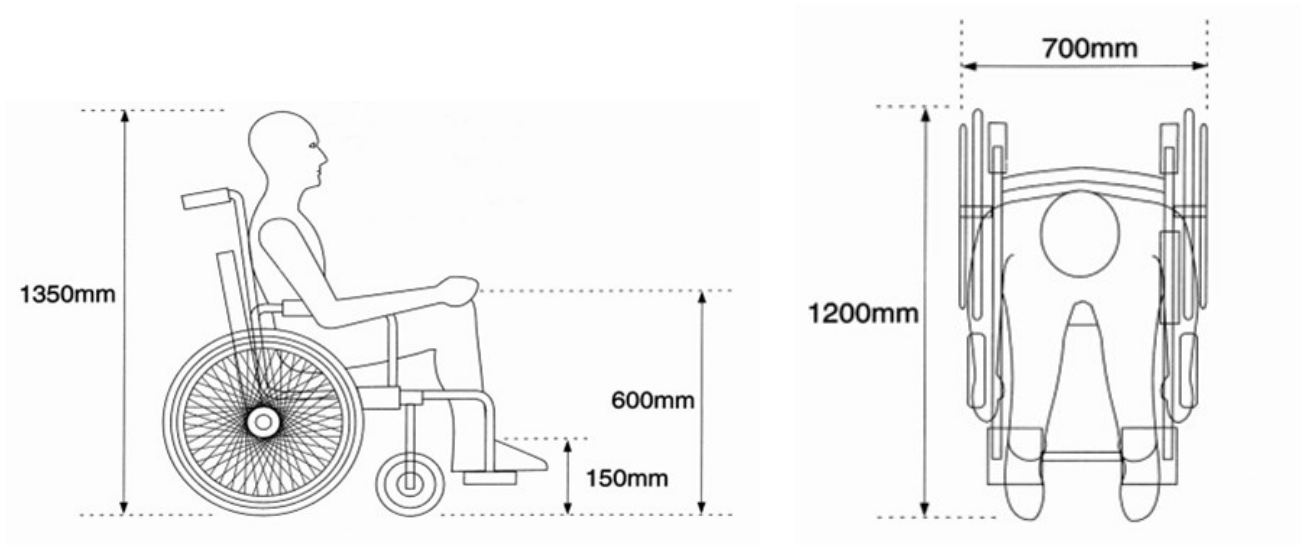


Hackney Carriage and Private Hire Licensing Policy 2023-2027

APPENDIX J

SPECIFICATION FOR A REFERENCE WHEELCHAIR

- 1.0 All wheelchair accessible vehicles must be capable of carrying at least one “reference wheelchair” and where the user of a reference wheelchair can enter, alight and travel in the passenger compartment in safety and reasonable comfort whilst remaining seated in their wheelchair.
- 1.1 As there are numerous shapes and sizes of wheelchair the Department for Transport consider a reference wheelchair to be as illustrated below¹:



¹ As defined in Schedule 1 and 2 of the Public Service Vehicle Accessibility Regulations 2000