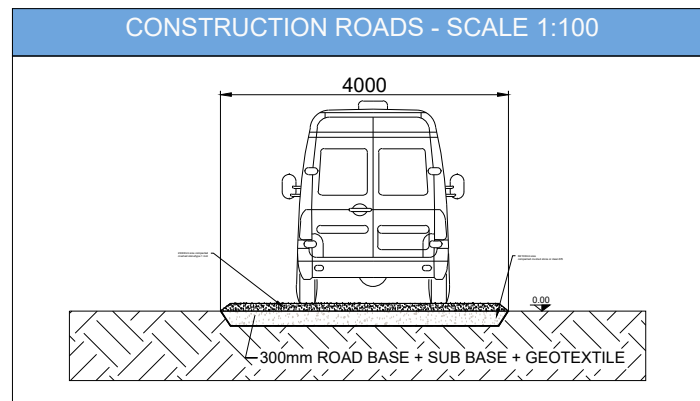
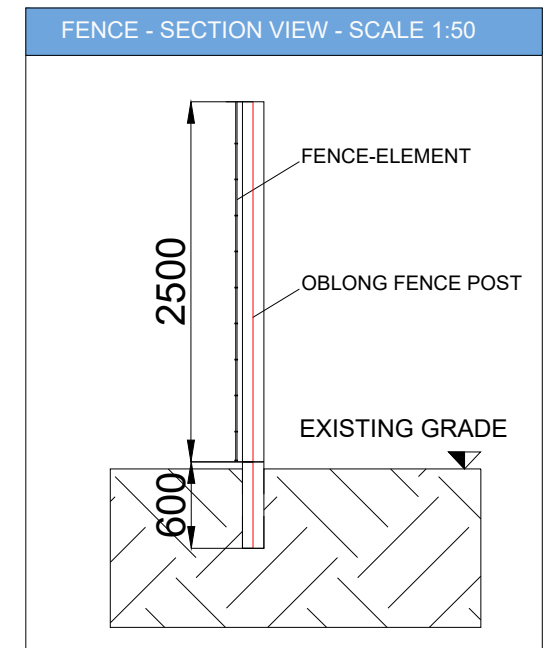
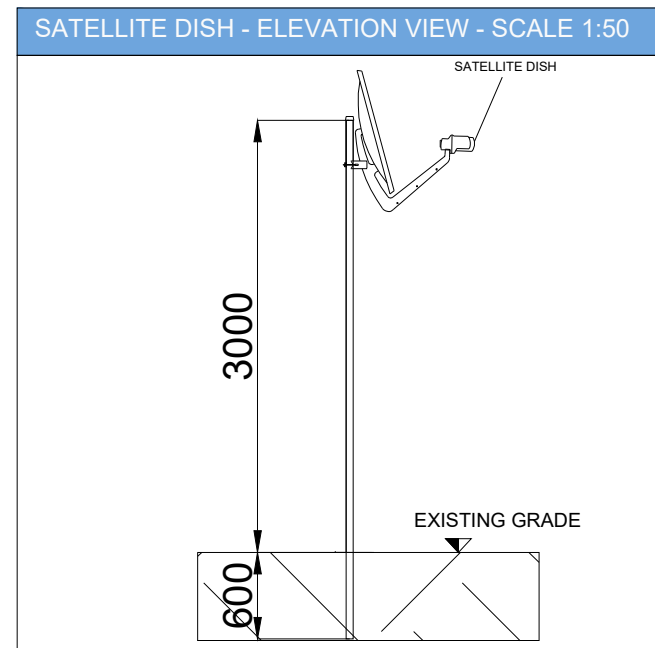
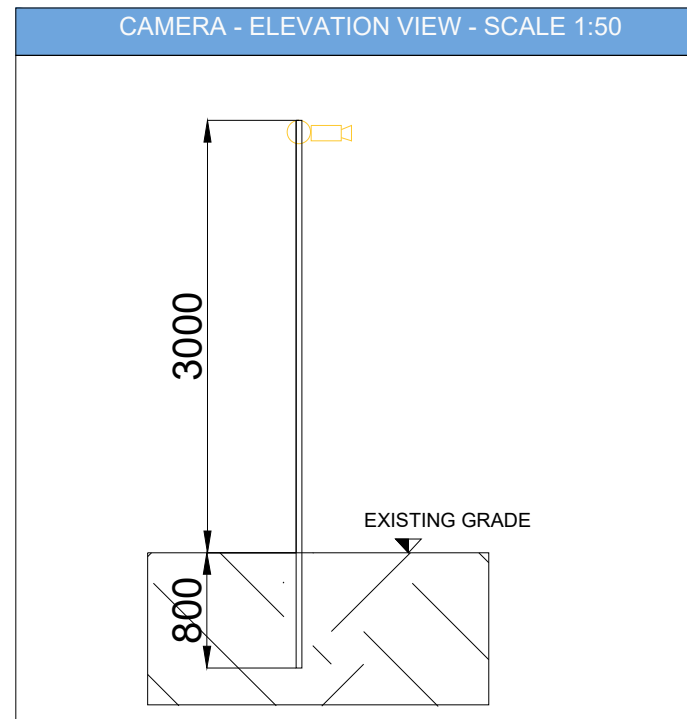
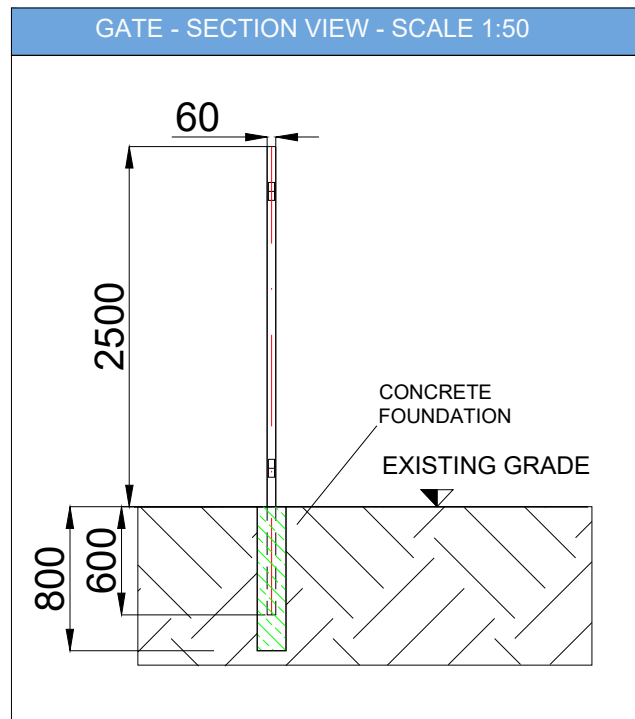
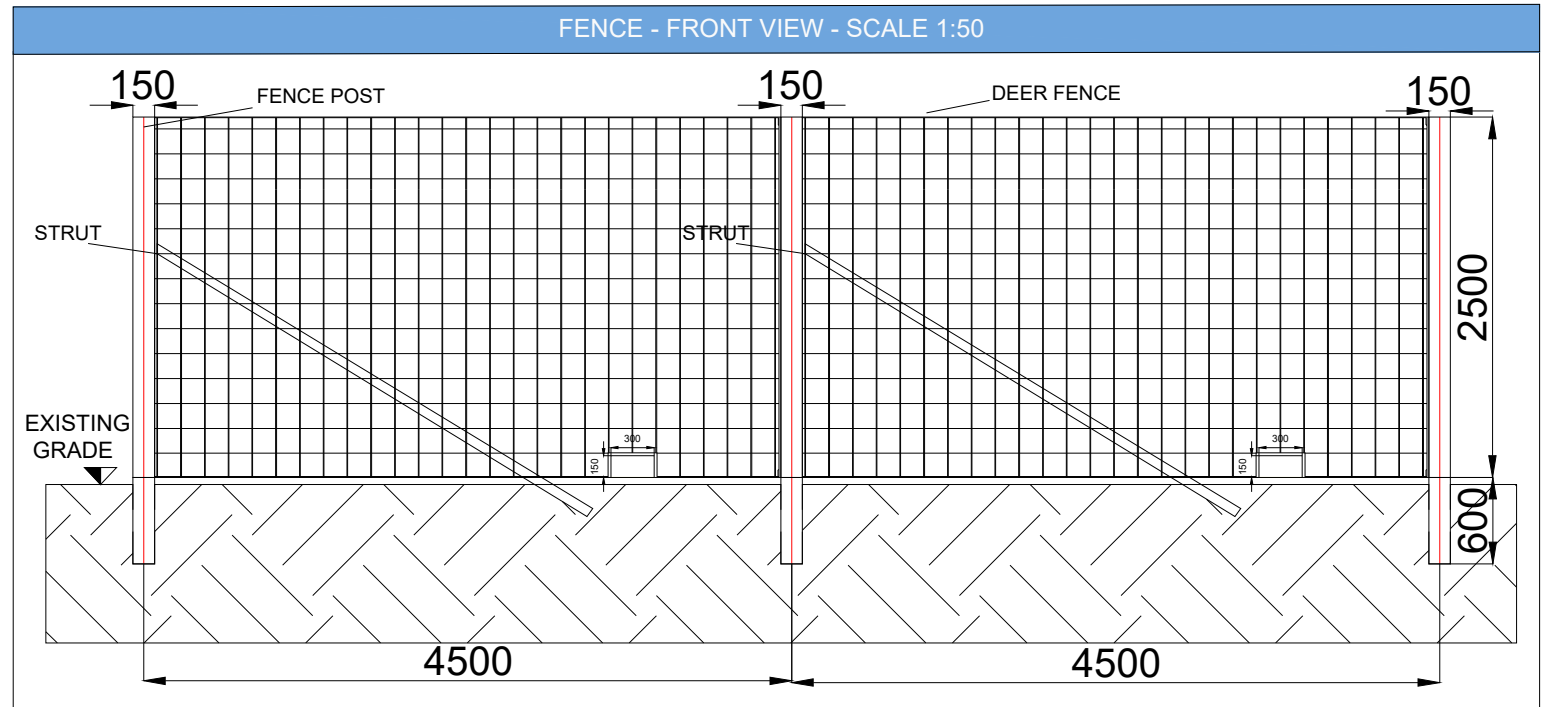
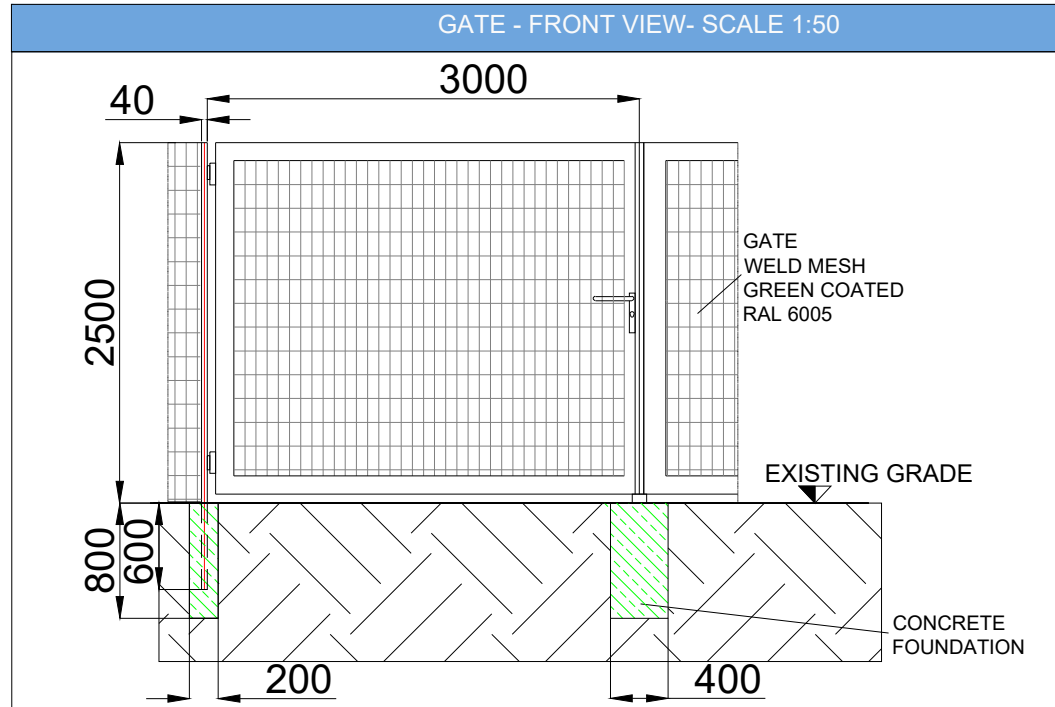


TECHNICAL DETAILS



* All dimensions shown are in millimeters and are approximate *

A3 - (420 x 297) mm

R0	SB	JR	JR	First Draft	04.04.2022
REV	DRAWN	REVIEWED	APPROVED	CHANGE	DATE

DRAWING TITLE: TECHNICAL DETAILS 1 _ Gate-Fence-Construction Road, Camera,Satellite Dish	DRAWING NUMBER: PL.007
---	---------------------------

PROJECT NAME & ADDRESS: Berrington Solar Project	CUSTOMER: ecenergy Powering renewables.
---	--

EPC:	GreenEnco 3 Allington Road, Harrow, HA2 6AJ. www.greenenco.co.uk	STATUS: PLANNING
------	--	----------------------------

SCALE: 1:50 & 1:100	FORMAT: DIN A3	SHEET: 1/1
------------------------	-------------------	---------------